

FIG. A1.22 Height/Length Ratio of Sliding Surfaces  
Reference Paragraph 8.5.4.1

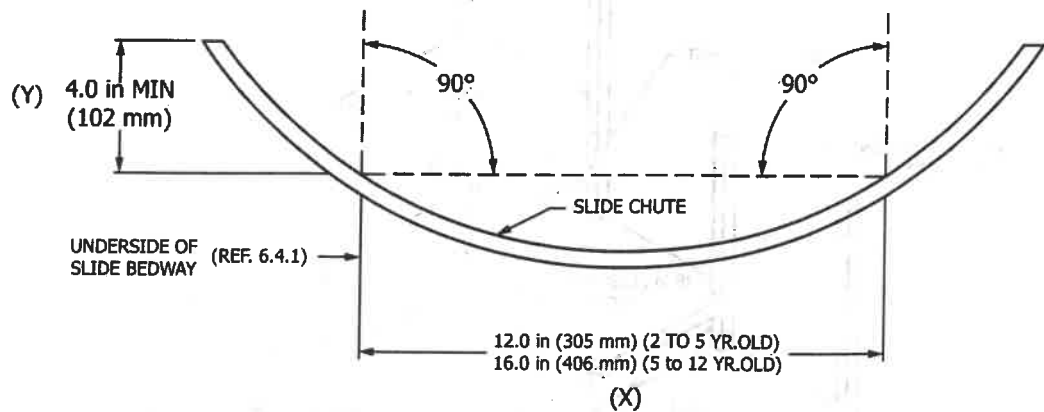


FIG. A1.23 Formula for Minimum Vertical Sidewall Height  
Reference Paragraphs 6.4.1 and 8.5.4.5(1)